

SONY

Hi-Fi Products
Service Bulletin

Sony Service Company - Technical Services
A Division of Sony Corporation of America
Sony Drive - Park Ridge, New Jersey 07656

Model: SS-U930AV

No. 218

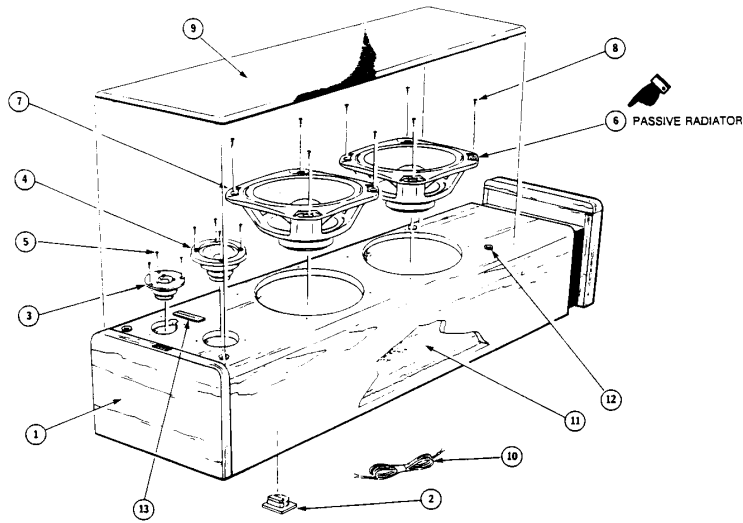
Subject: Part Number For The Passive Radiator Is Incorrect
In The Service Manual.

Date: September 25, 1991

Symptom: (**)
The part number for reference 6, Passive Radiator, is incorrect in the Service Manual.

Solution: Use the number shown below when ordering a replacement part.

REF. NO.	DESCRIPTION	PART NUMBER	
		INCORRECT	CORRECT
6	PASSIVE RADIATOR	1-549-122-11	1-544-122-11



Reference: FPR-M2270

PRINTED IN U.S.A.
CSA-13991-10

CSA-13 Speakers